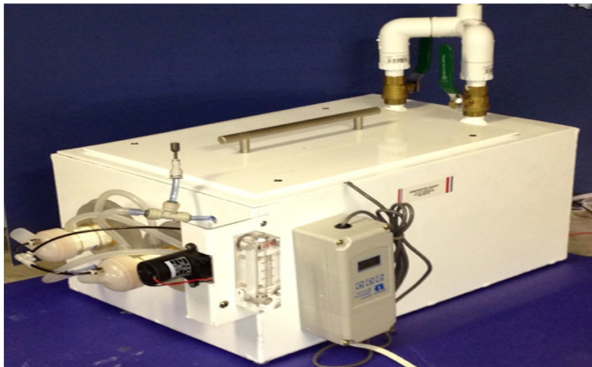
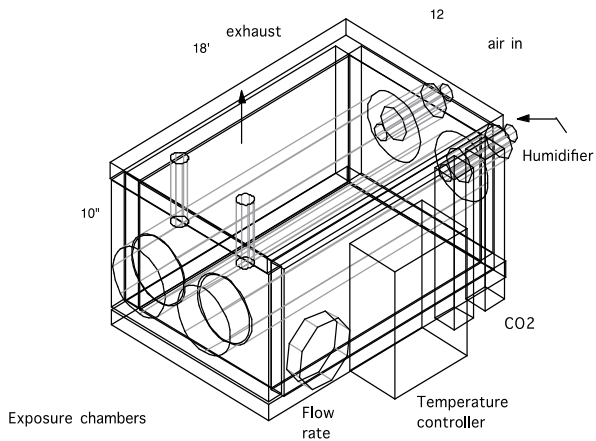
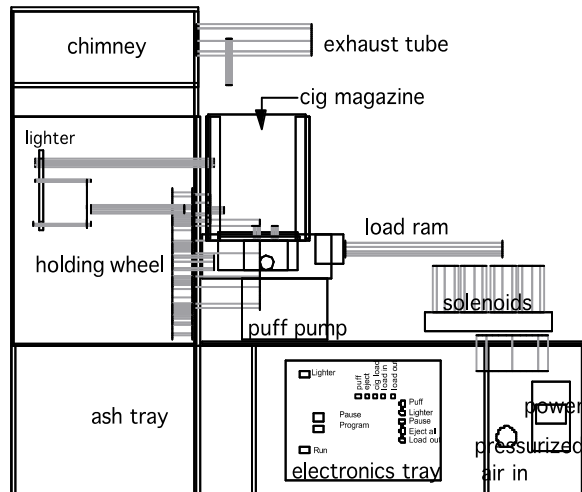


Cell Exposure Chamber



TE-10B Smoking Machine



TEAGUE ENTERPRISES

Website

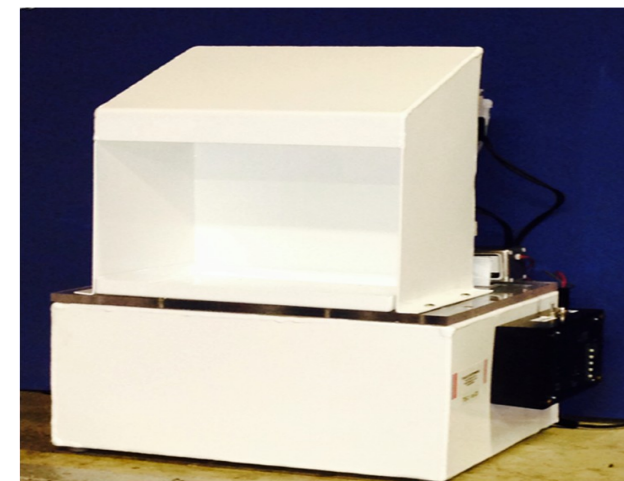
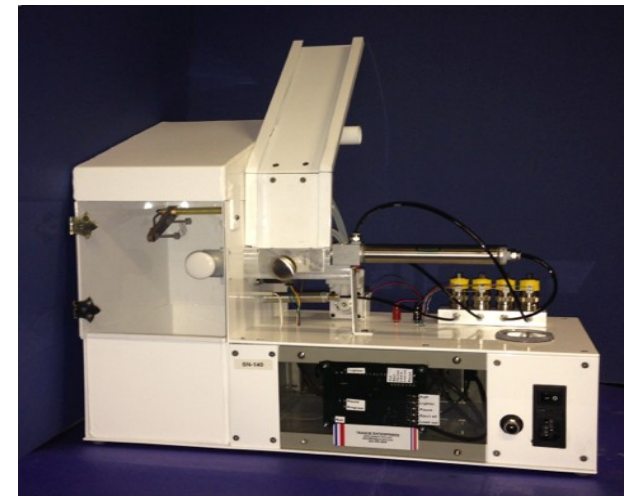
www.teague-ent.com



TEAGUE ENTERPRISES

**Design-Testing-
Manufacturing**

Smoking Machines



Phone: 530-406-8893

E-mail: steve@teague-ent.com

1237 E. Beamer Street, Suite E
Woodland, CA 95776

Smoking Machines

TE-10B Smoke Machine

This is a microprocessor controlled system. Smokes one to ten cigarettes at once.

- ◆ 110 - 240 VAC power supply
- ◆ TE-10B can accommodate various size mouse/rat cages
- ◆ Bluetooth device for setting machine parameters
- ◆ Electronic lighting and smoking mechanism
- ◆ Software changeable controls: Number of cigarettes, Indexing, lighter power, on/off times, puff times and cycle number
- ◆ Ash collection tray

TE-2 &(E) E Cigarette Smoke Machine

This machine is used for smoking one or two cigarettes by manual placement and lighting.

- ◆ Easy push button operation
- ◆ Adjustable pump for flow rates up to 4LPM.
- ◆ Adjustable settings for puffing 1, 2, 3 or 4 times per minute
- ◆ Adjustable setting for puff duration at 2-4 seconds
- ◆ Adapter for tank vaporizers with manual activation

Additional Components

Exposure Chambers

Mouse and rat chambers with flow measurement and control of mouse and rat cages. Chamber sizes to accommodate 1 - 12 cages.

Hood Enclosures

- ◆ SHU - Powder coated aluminum hood designed to enclose and vent smoke from chambers. Includes blower, compressor and cyclone mixer
- ◆ OSH - Overseas hood with cyclone mixer

Cell Exposure Chambers

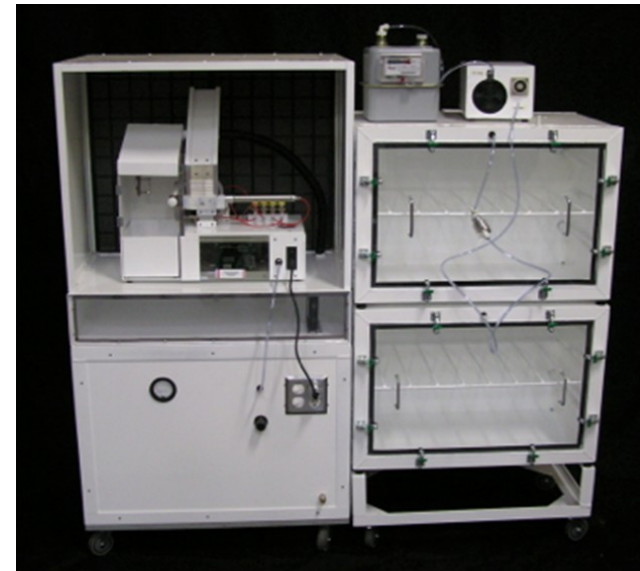
The cell exposure system provides dual chamber control for tobacco smoke exposure.

KEY FEATURES INCLUDE:

- ◆ Even distribution for tobacco smoke or other aerosol material to the exposure chamber
- ◆ Designed for easy cleaning and disinfecting
- ◆ Incorporated humidifier & temperature control
- ◆ Flow meter for carbon dioxide level control
- ◆ Independent flow measurement & control for each chamber
- ◆ Compact design
- ◆ Operated on 110 VAC, 10amp electrical supply

Complete Systems

TE-10B US System with mouse chambers & TSP (Total Suspended Particulate) Measuring System



TE-10B Overseas System

